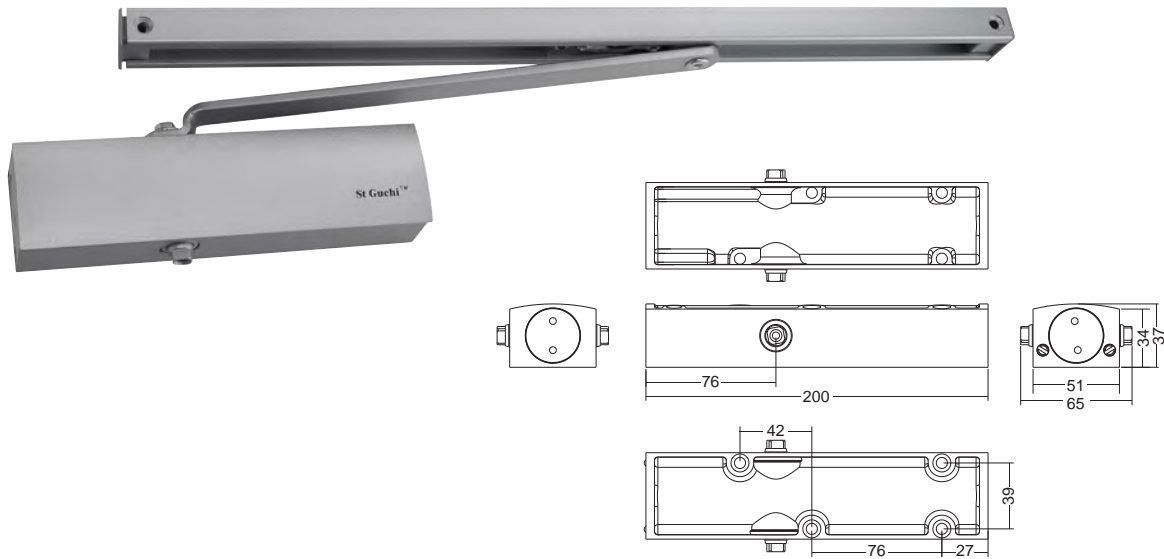


SGDC-82SA With 88 Slide Arm



TECHNICAL INFORMATION & FUNCTION

Width of Door (mm) Max.		950
Weight of Door (kg) Max.		60
Delayed Action		-
Backcheck Function		-
Max. Open Angle		180°
Hold - Open		-
Closing Speed Adjustment	Speed 1	180° - 15°
	Speed 1	15° - 0°
Applicable Temperature		-25°C - 45°C
Applicability		Left Open or Right Open Door
Fire Door		-
Dimension of Main Body	Length	200
	Overall Depth	50.5
	Height	37
Weight (kg)		1.4
Passed Durability Test		500,000 cycles

Code	Material	Packing
SGDC-82SA	Aluminium	10 sets/ctn

*All the measurements are in millimeter (mm)